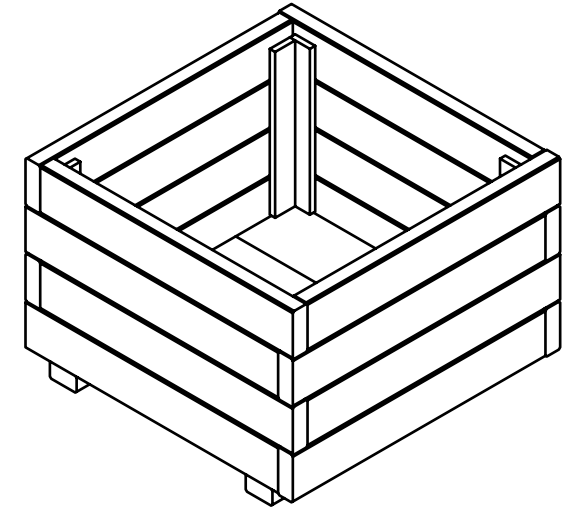
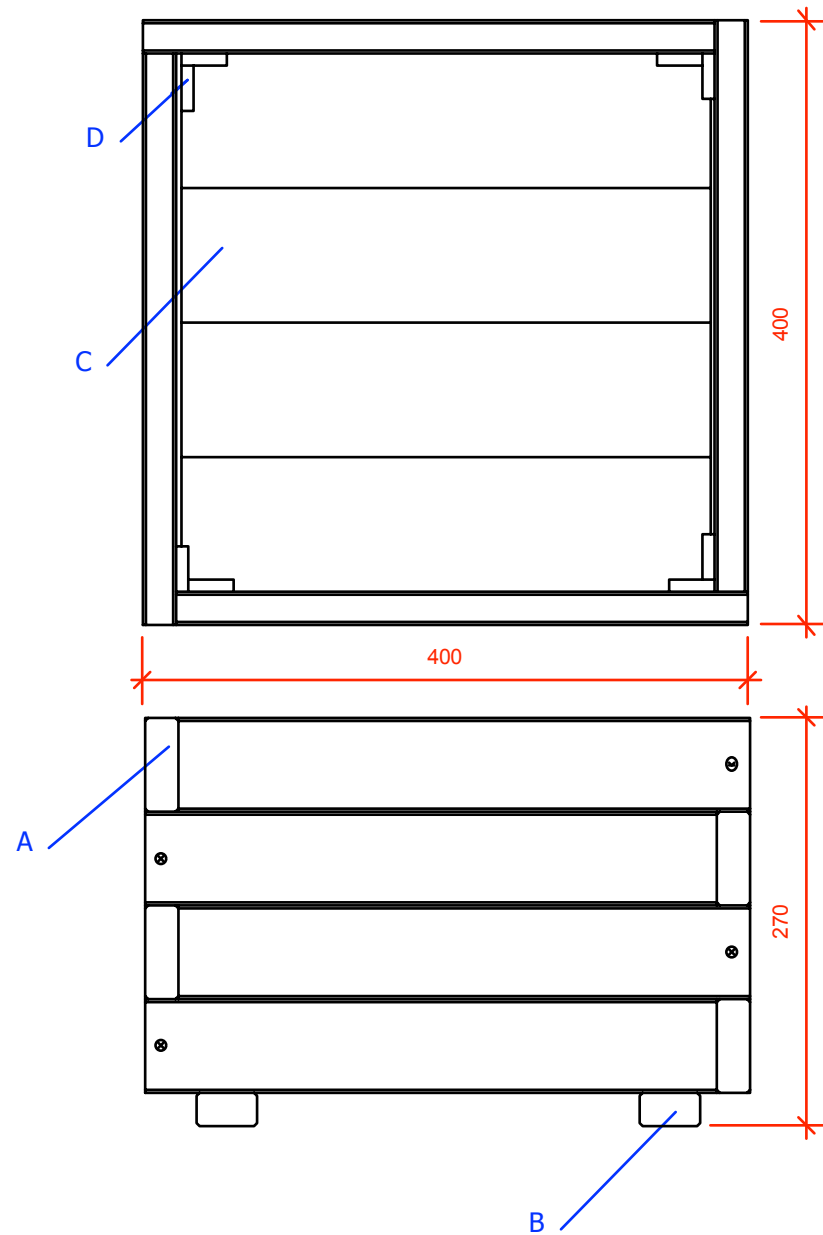


S7230



A :22x62x378	#16
B :22x40x395	#2
C :14x89x350	#4
D :8x30x215	#8
galvanized screws 3.5x50	#20
staples B/C	#24
staples D/A	#64

Scale : 1:5

Signature :